



Sanitary  
flow  
equipment

## VPA Aseptic Sample Valve Dimensions

Developed for taking samples in a sterile way, manufactured from AISI 316L stainless steel bar. Special configuration assures effective cleaning (CIP) and sterilization (with saturated steam) of product contact surfaces of valve and seating plug with the valve in closed position. Once installed, the sealing plug shuts off flush with the inlet port connection with a zero dead leg.

### APPLICATIONS

The VPA sampling valve range has been designed for sterile sampling application in Chemical and Pharmaceutical Industries. It's compact design allows easy installation on small vessels or process lines where is necessary FDA compliance.

### Features:

- Steamable in line
- High temperature and pressure resistant
- Meets FDA specifications
- Full material traceability

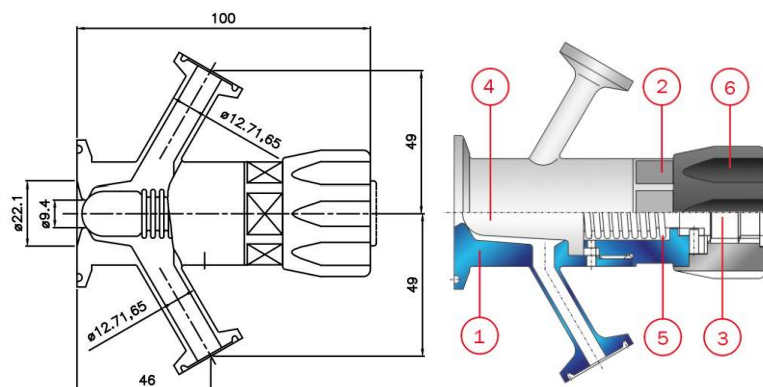
### Operating conditions:

Maximum working pressure 10 barg  
Working temperature 150°C

### Material:

- |     |            |                           |
|-----|------------|---------------------------|
| 1   | valve body | AISI 316L stainless steel |
| 2   | header     | AISI 316L stainless steel |
| 3   | spindle    | AISI 316L stainless steel |
| c 4 | diaphragm  | TFM – Silicone            |
| 5   | spring     | AISI 302 stainless steel  |
| 6   | handle     | Delrin (autoclavable)     |

T, X



### Execution:

manual wheel  
manual lever  
lever auto return  
pneumatic

MC  
ML  
MR  
PN

### F inlet HOLE:

hole Ø7mm	TFM - Silicone	07
hole Ø9,4mm	TFM	10
hole Ø13mm	TFM	13

### Connections:

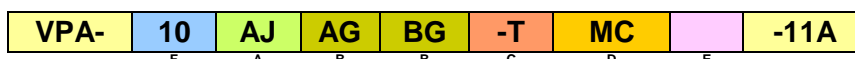
A Inlet 3/4" up to 2" clamp  
Ø30mm butt weld  
1/4", 3/8", 1/2", 3/4" BSP screw  
Ingold  
flanged

AH, AJ, AM, AN  
QF  
LC, LE, LG, LH  
ZA  
S..

B outlet & CIP / SIP 1/2", 3/4" clamp  
to be weld Ø12,7x1,65mm  
hose barb Ø12,7mm  
quick connect

AG, AH  
BG  
PF  
ZG

E optional INDUCTIVE switch



### Surface finish:

wetted surface finish average Ra<=0,5 µm or better

### Marking / Documentation:

To guarantee full traceability some information will permanently be marked on the valve body: AR logo (manufacturer identification), material grade, max. working pressure (10 barg) and our internal code i.e. "14162307" where 14 denote manufacture year, 1623 denote a number of our internal work order and 07 is a serial number.

On request, AerInox can supply the following validation document:

- EN 10204 3.1 material certificate
- Inside surfaces Ra Roughness certificates
- FDA certificate of conformity – CFR under title 21, paragraph 177.2600 for Silicone and paragraph 177.1550 for TFM PTFE
- PED 97/23/EC certificate of conformity
- ATEX 94/9/CE certificate

### Quality control:

The Quality Assurance system guarantees the control and traceability at all stages of the manufacturing.

**Get the information you need and more at : [info@aerreinox.it](mailto:info@aerreinox.it)**

In the interests of development and improvement of the product, we reserve the right to change the specifications without prior notice.

**Aerre Inox s.r.l.**

26010 FIESCO Via Gerola n.4 -CREMONA- Italy  
Tel. +39.0374.370828 Fax +39.0374.370833  
e-mail : [info@aerreinox.it](mailto:info@aerreinox.it) http : [www.aerreinox.it](http://www.aerreinox.it)